



www.lanagrossa.com



JACKET · BABY SOFT

Design 15 – Infanti Edition 02

JACKET · BABY SOFT

Design 15 – Infanti Edition 02



Size 50/56 (62/68, 74/80, 86/92)

Instructions are given for first size. Figures in parenthesis refer to larger sizes. When only one figure is given, it applies to all sizes.

Materials: 100 (150, 200, 200) g of Lana Grossa **Baby Soft** (60% polyamide, 40% cotton; 150 m/50 g) in Ecrú (**col 2**) and 50 g each in Mint Turquoise (**col 28**), Pink (**col 18**), Lime (**col 29**) and Apricot (**col 26**). Size 4.5 mm needles; size 4 mm crochet hook; three 2 cm toggle buttons.

Garter st: K every row.

Stripe patt: Work 2 rows each in Mint Turquoise, Ecrú, Pink, Ecrú, Lime, Ecrú, Apricot, Ecrú alternately throughout.

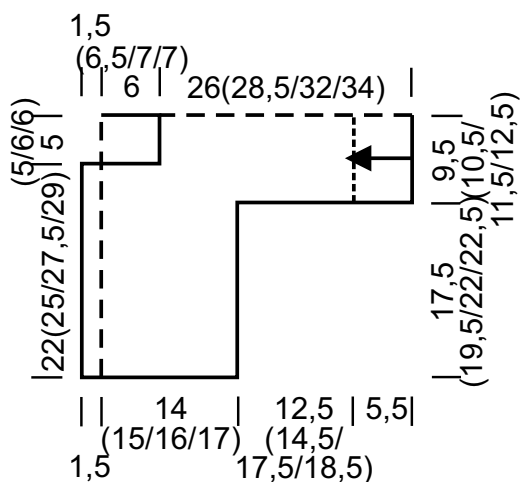
Gauge: 16 sts and 39 rows = 10 x 10 cm in garter st on size 4.5 mm needles.

Jacket: Worked side to side and in one piece, starting at left sleeve. With size 4.5 mm needles and Mint Turquoise cast on 32 (36, 38, 42) sts. Work in garter st and stripe patt for 50 rows. Cont in garter st with Ecrú only until piece meas 18 (20, 23, 24) cm from cast-on, ending with a WS row. Cast on 28 (31, 35, 36) sts at beg of next 2 rows for back and left front side edge = 88 (98, 108, 114) sts. Work even until piece meas 26 (28.5, 32, 34) cm from sleeve cast-on, ending with a WS row. Divide for back and front: Next row (RS): Work across first 44 (49, 54, 57) sts, leave rem 44 (49, 54, 57) sts on hold. **Back:** Work even across 44 (49, 54, 57) back sts until piece meas 38 (41.5, 46, 48) cm from sleeve cast-on, ending with a RS row. Place sts on holder, cut yarn. **Left front:** Return 44 (49, 54, 57) held sts to needle and with RS facing, rejoin Ecrú.

Next row (RS): Shape neck: Bind off 8 (8, 10, 10) sts at beg of row, work to end = 36 (41, 44, 47) sts. Work even for 3 (5 (7, 7) rows, ending with a WS row. Work stripe patt until piece meas 33.5 (36.5, 40.5, 42.5) cm from sleeve cast-on. Bind off all sts. **Right front:** With size 4.5 mm needles and Ecrú cast on 36 (41, 44, 47) sts. Beg with 2 rows Ecrú, 2 rows Apricot, work in garter st and stripe patt for 16 rows, ending with a WS row. Cont in garter st with Ecrú only for 4 rows, ending with a WS row. Next row (RS): Shape neck: Cable cast on 8 (8, 10, 10) sts at beg of row, work to end = 44 (49, 54, 57) sts. Next WS (joining) row: Work across 44 (49, 54, 57) right front sts on needle and 44 (49, 54, 57) back sts on holder = 88 (98, 108, 114) sts. Work even across all sts until piece meas 46 (50, 55, 58) cm from left sleeve cast-on, ending with a WS row. Bind off 28 (31, 35, 36) sts at beg of next 2 rows for back and front side edge = 32 (36, 38, 42) sts. Work even for 20 (28, 40, 44) rows, ending with a WS row. Beg with Mint Turquoise, work stripe patt for 50 rows. Bind off all sts.

Hood: With size 4.5 mm needles and Ecrú cast on 28 (30, 32, 32) sts. Work in garter st until piece meas 13 (14, 15, 15) cm from cast-on, ending with a WS row. Cont in garter st and work stripe patt for 34 rows. Cont in garter st with Ecrú only until piece meas 36 (38, 40, 40) cm from cast-on. Bind off all sts.

Finishing: Fold hood in half, sew one side seam. Beg and end 2 cm in from front edge, sew hood to neck edge. Sew side and sleeve seams, reversing bottom 5.5 cm of sleeve seam. Fold bottom 5.5 cm of sleeve to inside. With size 4 mm crochet hook and Lime, work 1 row sc along left front edge, working three ch-3 button loops evenly spaced. Sew on buttons.



Gauge Swatch

Before you begin ...

...make a gauge swatch. Use the recommended needles, yarns and pattern stitch for your gauge swatch. It should measure approx. 12 cm x 12 cm. Cast-on and bind-off rows, as well as selvage stitches should not be included in the measurement. Pin your swatch and block it as you would the finished pieces of the garment. Count stitches and rows over 10 cm. If your gauge swatch is too small, switch to larger needles. If your gauge swatch is too big, switch to smaller needles.



Abbreviations

beg = begin(ning) · **ch** = chain · **cont** = continue · **dec** = decreas(e)(ing) · **inc** = increas(e)(ing) · **k** = knit · **kwise** = as if to knit
meas = measures · **M1L** = lift strand between sts from front to back and knit this strand through the back loop · **M1R** = lift strand between sts from the back and knit this strand through the front loop · **patt** = pattern · **pm** = place marker · **p** = purl
pwise = as if to purl · **rem** = remain(ing) · **rep** = repeat(s) · **rev St st** = reverse stockinette stitch · **rnd(s)** = round(s) · **RS** = right side · **sc** = single crochet · **skp** = slip 1 stitch as if to knit, knit 1 stitch, pass slipped stitch over knitted stitch · **sk2p** = slip 1 stitch as if to knit, knit 2 together, pass slipped stitch over knitted stitch · **s2kp** = slip 2 stitches as if to knit, k 1 stitch, pass slipped stitches over knitted stitch · **sl** = slip · **st(s)** = stitch(es) · **St st** = stockinette stitch · **tbl** = through the back loop · **tog** = together · **wyib** = with yarn in back of work · **wyif** = with yarn in front of work · **WS** = wrong side · **yo(s)** = yarn over(s)

Publisher's Info

Publisher: Lana Grossa GmbH, Gaimersheim, www.lanagrossa.com

Photographer: Dominique Sudre